

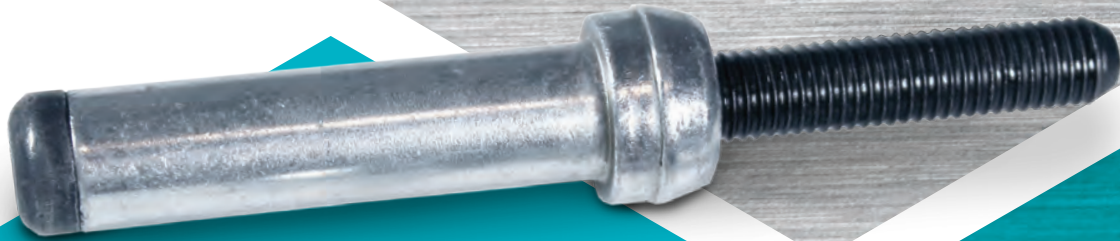


**ARCONIC**

# Huck BOM<sup>®</sup> The Highest Strength Blind Fasteners in the World

Vibration Resistant  
Easy to Install  
Mechanically Locked

3/16" - 3/4"



**HUCK**<sup>®</sup>



# The Huck BOM<sup>®</sup>

## The Highest Strength Blind Oversize Fasteners in the World

BOM<sup>®</sup> (Blind, Oversize Mechanically locked) fasteners from Arconic Fastening Systems are so strong, one can do the work of up to four conventional fasteners.

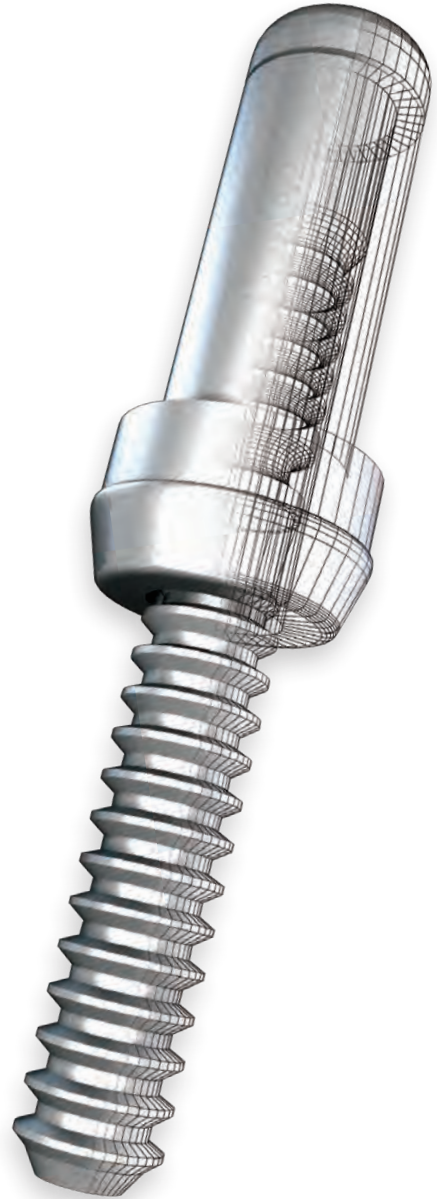
There is not a more vibration resistant blind fastener than the BOM, or one that works harder in so many different applications. Featuring a unique push-and-pull installation design, the BOM fastening system is tough enough for military vehicles and equipment, auto suspensions, amusement park rides, rail car assembly, and shaft steel storage and retrieval racks. Even the most demanding high-tensile application is no match for the strength of the BOM fastening system.

Because installing BOM fasteners is so easy, a worker can learn the installation procedure in just 10 minutes, eliminating the need to hire certified welders or specially trained employees. And because they install from just one side, BOMs can be used in all blind side applications.

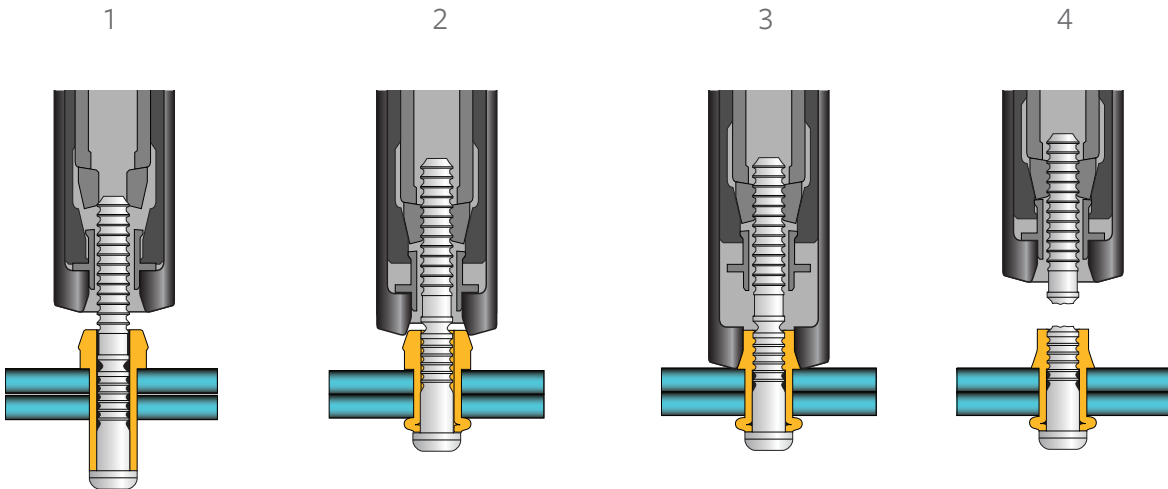
Installations are more accurate than other fasteners, because the element of human error is not an issue. In other words, correct installation doesn't depend on operator skill or specialized tools. In addition, you can often start using BOM fasteners immediately with your current tools, saving you more money in the long run.

## BOM Benefits

- Unmatched installation speed
- Low overall installed cost
- Vibration resistance
- Quiet non-torque tools
- No repetitive stress injuries
- Eliminates need for secondary operations
- No special training or skills required for operators



# Installation Sequence



1  
Insert the fastener into the hole and slip the installation tool over the pintail.

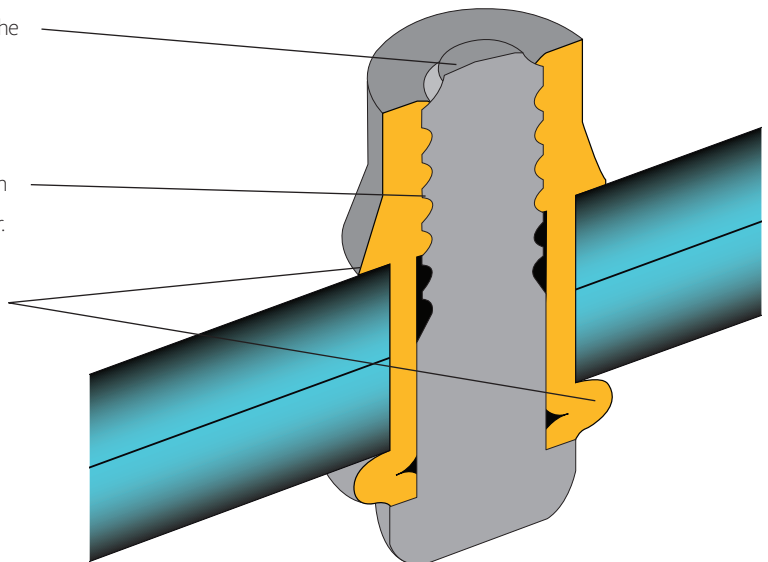
2  
Press the trigger to initiate pulling action. As the tool pulls on the pintail, the unique collar design "stands off" the swaging action until the maximum allowable bulb is formed on the backside.

3  
Continued pulling on the pintail draws the work pieces together and the swaging anvil overcomes the standoff and moves down the length of the collar, securely locking the collar to the pin.

4  
Once the collar is swaged, the tool ejects the fastener and releases the puller to complete the sequence.

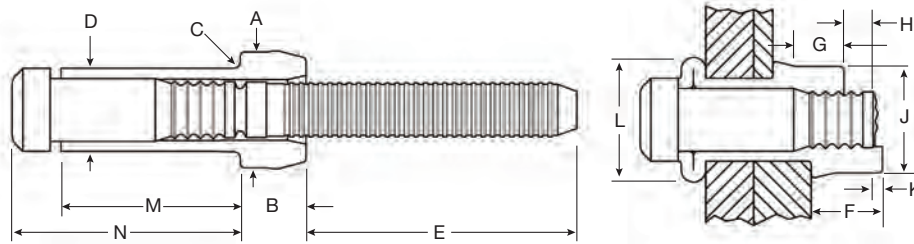
## Secure, Fast Installation

1. When the pin separates near flush, the BOM fastener is installed correctly. The BOM fastener does not require surface preparation, grinding or filling after installation.
2. The collar is locked to the pin through the "swaging" process, creating a high vibration resistant connection and the highest strength of any blind fastener.
3. Large bearing area on both sides of the work piece ensures a permanently held, tamper resistant joint.



# Data and Dimensions

## Small Diameter Bullet Head Blind Rivet



### Dimensional Data

DIA.	DIA	HOLE SIZE	A	B	C Max	D	E Min
3/16"	(6)	.208-.222	0.276-0.286	0.152-0.168	0.015	0.196-0.206	0.785
1/4"	(8)	.277-.292	0.368-0.380	0.205-0.225	0.020	0.262-0.275	0.860
5/16"	(10)	.348-.368	0.468-0.478	0.266-0.278	0.025	0.332-0.346	1.285
3/8"	(12)	.413-.435	0.553-0.563	0.315-0.327	0.030	0.393-0.411	1.230
1/2"	(16)	.546-.581	0.740-0.755	0.415-0.438	0.035	0.529-0.544	1.530
5/8"	(20)	.687-.728	0.925-0.941	0.507-0.545	0.040	0.662-0.685	1.710
3/4"	(24)	.828-.873	1.110-1.130	0.637-0.654	0.050	0.795-0.816	2.150

### Inspection Data

DIA.	F Nom	G Min	H Max	J Max	K Max	L Nom
3/16"	0.177	0.109	0.094	0.261	0.031	0.306
1/4"	0.232	0.156	0.094	0.346	0.031	0.405
5/16"	0.300	0.187	0.171	0.434	0.046	0.517
3/8"	0.360	0.203	0.171	0.510	0.046	0.605
1/2"	0.475	0.297	0.171	0.686	0.063	0.841
5/8"	0.595	0.406	0.313	0.874	0.078	1.038
3/4"	0.722	0.438	0.313	1.027	0.078	1.267

### Installed Values in Nominal Grip (lbs.)

DIAMETER	SHEAR	TENSILE
3/16"	2800	1800
1/4"	5100	3250
5/16"	8050	5200
3/8"	11100	7250
1/2"	20150	13000
5/8"	28500	20500
3/4"	45100	29100

Note: These are minimum ultimate shear and tensile strengths, in pounds, of installed fastener, when tested in a grip equal to or greater than one and one half the fastener diameter.

### Grip Data

	GRIP NO.	GRIP RANGE	M NOM	N MAX		GRIP NO.	GRIP RANGE	M NOM	N MAX
6 (3/16")	2	.093-.156	.376	.500	12 (3/8")	4	.188-.312	.766	.975
	3	.157-.219	.439	.562		6	.313-.437	.891	1.100
	4	.220-.281	.501	.625		8	.438-.562	1.016	1.225
	5	.282-.344	.564	.687		10	.563-.687	1.141	1.350
	6	.345-.406	.626	.750		12	.688-.812	1.266	1.475
	7	.407-.469	.689	.812		14	.813-.937	1.391	1.600
	8	.470-.531	.751	.875		16	.938-1.062	1.516	1.725
	9	.532-.594	.814	.937		18	1.063-1.187	1.641	1.850
	10	.595-.656	.876	1.000		20	1.188-1.312	1.766	1.975
	11	.657-.719	.939	1.062		4	.251-.375	1.000	1.266
	12	.720-.781	1.001	1.125		6	.376-.500	1.125	1.391
	8 (1/4")	2	.093-.156	.460		.625	8	.501-.625	1.250
3		.157-.219	.523	.688	10	.626-.750	1.375	1.641	
4		.220-.281	.585	.750	12	.751-.875	1.500	1.766	
5		.282-.344	.648	.813	14	.876-1.000	1.625	1.891	
6		.345-.406	.710	.875	16	1.001-1.125	1.750	2.016	
7		.407-.469	.773	.938	18	1.126-1.250	1.875	2.141	
8		.470-.531	.835	1.000	20	1.251-1.375	2.000	2.266	
9		.532-.594	.898	1.063	22	1.376-1.500	2.125	2.391	
10		.595-.656	.960	1.125	24	1.501-1.625	2.250	2.516	
11		.657-.719	1.023	1.188	4	.251-.500	1.213	1.531	
12		.720-.781	1.085	1.250	8	.501-.750	1.463	1.781	
13		.782-.843	1.147	1.313	12	.751-1.000	1.713	2.031	
14		.844-.905	1.209	1.375	16	1.001-1.250	1.963	2.281	
10 (5/16")		4	.188-.312	.695	.875	20	1.251-1.500	2.213	2.531
	5	.250-.375	.758	.938	4	.251-.500	1.380	1.750	
	6	.313-.437	.820	1.000	8	.501-.750	1.630	2.000	
	8	.438-.562	.945	1.125	12	.751-1.000	1.880	2.250	
	10	.563-.687	1.070	1.250	16	1.001-1.250	2.130	2.500	
	12	.688-.812	1.195	1.375	20	1.251-1.500	2.380	2.750	
	14	.813-.937	1.320	1.500	24	1.501-1.750	2.630	3.000	
	16	.938-1.062	1.445	1.625	28	1.751-2.000	2.880	3.250	
12 (3/8")	4	.188-.312	.695	.875	32	2.001-2.250	3.130	3.500	
	5	.250-.375	.758	.938	36	2.251-2.500	3.380	3.750	
	6	.313-.437	.820	1.000	40	2.501-2.750	3.630	4.000	
	8	.438-.562	.945	1.125	44	2.751-3.000	3.880	4.250	
	10	.563-.687	1.070	1.250					
	12	.688-.812	1.195	1.375					
	14	.813-.937	1.320	1.500					
	16	.938-1.062	1.445	1.625					
	18	1.063-1.187	1.570	1.750					
	20	1.188-1.312	1.695	1.875					



# BOM Installation Tooling

Installation Tools									
PNEUDRAULIC TOOLS				HYDRAULIC TOOLS					
TOOL MODEL	SIZE*	254	256	2480	2581	2600	2624	2624PTD	3585
NOSE ASSEMBLY	3/16"	99-1053	99-1053	99-994	99-1053				
	1/4"	99-830-1	99-830-1		99-830-1				
	5/16"		99-769		99-769**	99-3119			
	3/8"		99-1272*			99-3122			
	1/2"						99-5107	99-5106	99-5107
	5/8"						99-5102		99-5102
	3/4"								99-5103

\* Use only in very low volume repair applications.

\*\* Requires 123634-2580 steel deflector



Tooling Weight and Dimensions					
MODEL	TYPE	WEIGHT	LENGTH	HEIGHT	WIDTH
254	PNEUDRAULIC	8.67	8.0	14.9	5.2
256	PNEUDRAULIC	11.1	7.9	14.9	6.3
2480	HYDRAULIC	2.2	8.2	6.6	1.9
2581	HYDRAULIC	6.6	8.5	7.3	2.2
2600	HYDRAULIC	7.3	9.5	7.9	2.7
2624	HYDRAULIC	17.4	7.4	7.7	3.5
2624PTD	HYDRAULIC	17.4	13.02	7.7	3.5
3585	HYDRAULIC	19	7.9	11.3	2

# Ordering Information

Follow the form below to construct a part number for ordering Huck BOM blind fasteners. Refer to the Grip Data chart for grip numbers.

## Ordering Information

BOM-R (DIAMETER) - (GRIP NUMBER)

Example: BOM-R8-6 is a BOM blind rivet, Steel, 1/4" Diameter, Grip 6.

MATERIAL	CODE
STEEL	R

DIAMETER	CODE
3/16"	6
1/4"	8
5/16"	10
3/8"	12
1/2"	16
5/8"	20
3/4"	24

## Materials and Finishes

MATERIAL	SLEEVE	PIN	*SLEEVE FINISH	*PIN FINISH
STEEL	LOW CARBON STEEL	MEDIUM CARBON STEEL	ZINC PLATED CLEAR CHROMATE	BLACK OIL

\* Optional coatings available



# Arconic Fastening Systems



Arconic Inc. (NYSE: ARNC) creates breakthrough products that shape industries, providing solutions to complex engineering challenges to transform the way we fly, drive, build, and power. Combining ingenuity and advanced manufacturing, we deliver products that meet the challenges and demands faced by our customers.

Arconic Fastening Systems, formerly Alcoa Fastening Systems & Rings, is a global leader in fastening technology. Offering the greatest breadth and depth of fastening system solutions in the industry, Arconic continues to reflect the same commitment to product quality and support that customers have come to expect. To serve its growing market, Arconic Fastening Systems maintains corporate offices worldwide. In addition, Arconic distributors are located in many key industrial centers throughout the world, providing a ready supply of fasteners, installation tools, tool parts, and application assistance.

## Americas

Waco Operations  
8001 Imperial Drive  
Waco, TX 76712, USA  
P.O. Box 8117  
Waco, TX 76714-8117, USA  
Tel: +1 800 388 4825  
Fax: +1 800 798 4825

Kingston Operations  
1 Corporate Drive  
Kingston, NY 12401, USA  
Tel: +1 800 278 4825  
Fax: +1 845 334 7333

Tracy Operations  
1925 North MacArthur Drive  
Tracy, CA 95376, USA  
Tel: +1 800 826 2884  
Fax: +1 800 573 2645

Carmel Operations  
14300 Clay Terrace Blvd.  
Suite 250  
Carmel, IN 46032, USA  
Tel: +1 800 826 2884  
Fax: +1 800 573 2645

Tacubaya Operations  
Avenida Parque Lira  
79-402 Tacubaya  
Mexico C P 11850  
Tel: +52 55 5515 1776  
Fax: +52 55 5277 7564

São Paulo Operations  
Av. Nações Unidas, 12.901  
Torre Oeste, 3º andar  
São Paulo – SP – Brasil  
04578-000  
Tel: +55 0800 015 9888  
Fax: +55 11 5509 0200

## International Locations

Kolkata Operations  
Unit no. 28, Chowringhee Court  
55/1, Chowringhee Road  
Kolkata – 700071  
India  
Tel: +91 33 4069 9170/80  
Fax: +91 33 4069 9184

Tokyo Operations  
Arconic Japan Ltd.  
#1013 NBF Hibiya Bldg, Uchisaiwai-cho,  
Chiyoda-ku  
Tokyo 100-1011  
Japan  
Tel: +81 3 3539 6577  
Fax: +81 3 3539 6585

Melbourne Operations  
1508 Centre Road  
Clayton, Victoria, 3168  
Australia  
Tel: +61 3 8545 3333  
Fax: +61 3 8545 3390

Suzhou Fasteners Operations  
58 Yinsheng Road, Shengpu  
Suzhou Industrial Park  
Suzhou Jiangsu 215126  
China  
Tel: +86 0512 62863800-8888  
Fax: +86 0512 62863810

Telford Operations  
Unit C, Stafford Park 7  
Telford, Shropshire TF3, 3BQ  
United Kingdom  
Tel: +44 1952 2900 11  
Fax: +44 1952 2904 59

St. Cosme Operations  
9 rue de Cressonnieres  
72110 Saint Cosme en Varais  
France  
Tel: +33 0 2 43 31 41 00  
Fax: +33 0 2 43 31 41 41

Kelkheim Operations  
Industriestr. 6  
65779 Kelkheim  
Germany  
Tel: +49 (0) 6195 8050  
Fax: +49 (0) 6195 2001



[afshuck.net/us](http://afshuck.net/us)  
[YouTube.com/AFSIndustrial](https://www.youtube.com/AFSIndustrial)

The information contained in this publication is only for general guidance, and is not intended to create any warranty, express, implied, or statutory; all warranties are contained only in AFS's written quotations, acknowledgments, and/or purchase orders. It is recommended that the user secure specific, up-to-date data and information regarding each application and/or use of such products.



**ARCONIC**